

IC-7000

Technical Information (Ref No. : ZSL00006 / date : November 28, 2005)

Expanding TX Frequency Coverage for the IC-7000(#02)

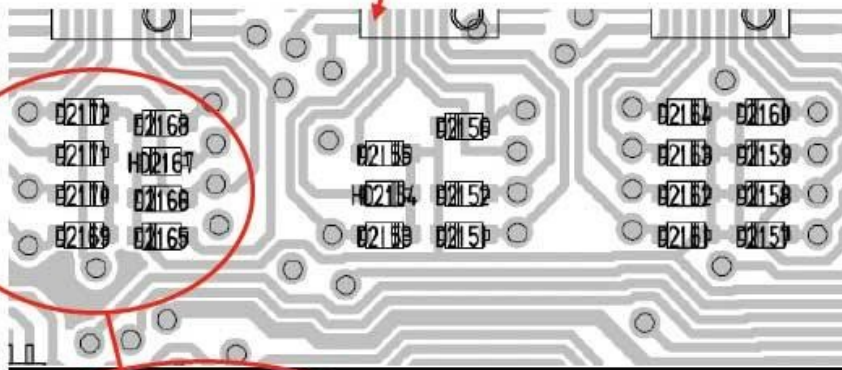
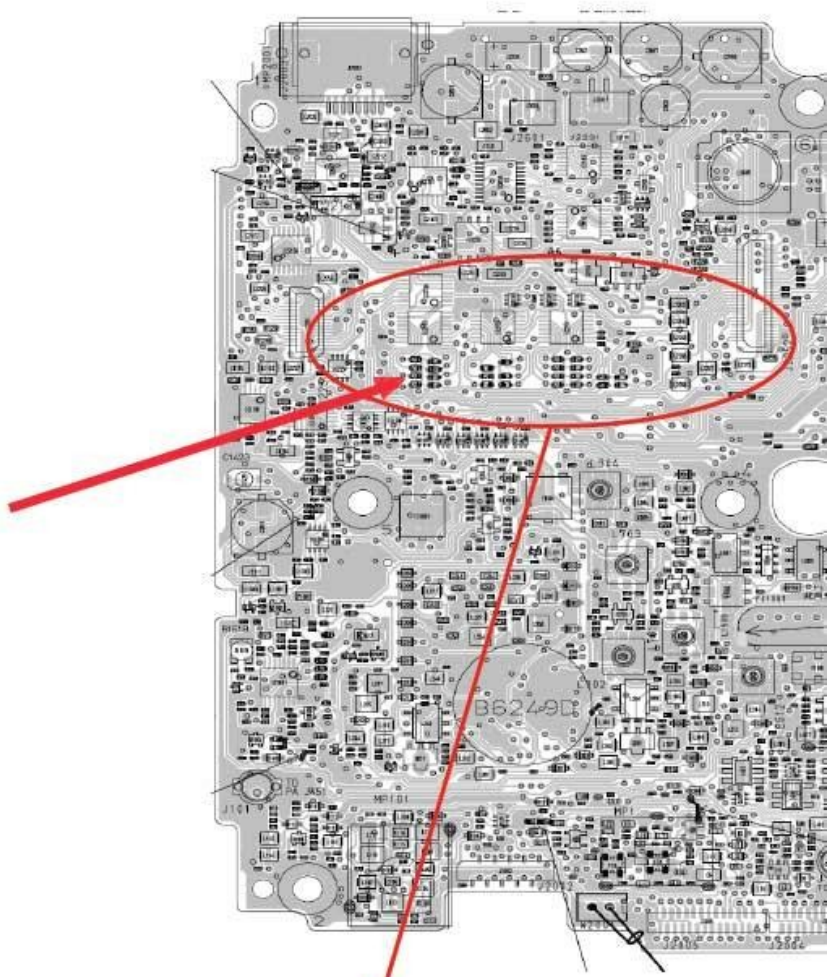
Following information is regarding the modification of expanding the TX frequency coverage of the IC-7000

- ➔ verwijder de acht schroeven van het bovendeksel (niet van de luidspreker)
- ➔ verwijder de twee schroeven van de module (links onder en rechts boven) en verwijder de module.
- ➔ de diode-matrix wordt zichtbaar met D2168, D2169, D2170 en D2172 aanwezig
- ➔ verwijder alle dioden (3) behalve D2170

#	D2168	D2169	D2170	D2171	D2172	Frequency Range
1	NO	NO	NO	NO	NO	1.6 – 25.999999 MHz 28.0 – 29.999999 MHz 50.0 – 54.000000 MHz 144.0 – 146.000000 MHz 430.0 – 440.000000 MHz
2	NO	YES	NO	NO	NO	1.6 – 54.000000 MHz 118.0 – 174.000000 MHz 400.0 – 470.000000 MHz
3	NO	NO	YES	NO	NO	0.1 – 199.999999 MHz 400.0 – 470.000000 MHz

*****Initial Diode Matrix geleverd in Europa*****
 Diode Matrix Condition on the MAIN UNIT

D2168	D2169	D2170	D2171	D2172
YES	YES	YES	NO	YES



D2172	D2168
D2171	D2167
D2170	D2166
D2169	D2165

